

COMPACT VALVE - 1/8

Series DS2

Cat No DS2 - 02 - 07

COMPACT VALVE - NPT 1/8 (G1/8)

Features

- Suitable for manifold mounting
- Mounting provision for individual unit
- Compact size
- Manual override
- Wide range of manifolds available
- Wide range of coil voltages

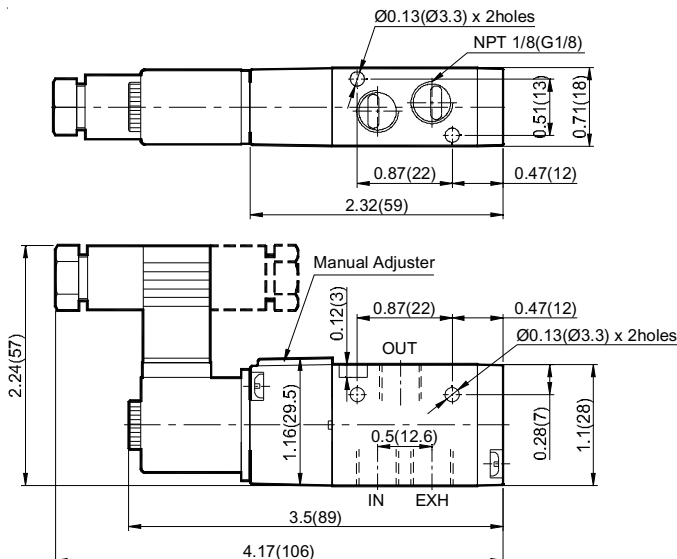


Technical Specifications

Model	DS2
Type	3/2, 5/2, 5/3
Design	Spool type
Port Size	Inlet, Outlet, Exhaust - NPT 1/8 (G1/8), External pilot - M5
Medium	Compressed air - Dry, filtered, lubricated
Working Pressure range in psi (bar)	30 - 115 (2 - 8)
External pilot pressure (ER model) in psi (bar)	30 - 60 (2 - 4)
Recommended oil for lubrication	ISO VG32 (Servo system 32)
Ambient / Medium temperature	41° - 140° F (5° - 60° C)
Flow rate in scfm (NI/min) @	15.75 (450)
Materials of construction	Aluminium, Nitrile, Brass, Acetal, PBT, Zinc
Electrical	
Coil width in inch (mm)	0.67 (17)
Voltage (V) ± 10%	AC (50 Hz) - 24, 48, 110, 220
	DC - 12, 24, 48, 110
Power consumption	AC - 3.6 VA, DC - 2.5 W
Duty cycle	Continuous
Class of insulation	Class F
Type of coil protection	IP65

@ Supply pressure 87 psi (6 bar), Pressure drop $\Delta p = 14.5$ psi (1bar)

3 / 2 Single Solenoid pilot operated valve with spring return



1 - Inlet, 2 - Outlet, 3 - Exhaust

Ordering No*	NPT	DS234SR90	DS244SR90
	G	(DS234SR60)	(DS244SR60)
Type		Normally open	Normally closed
Symbol			

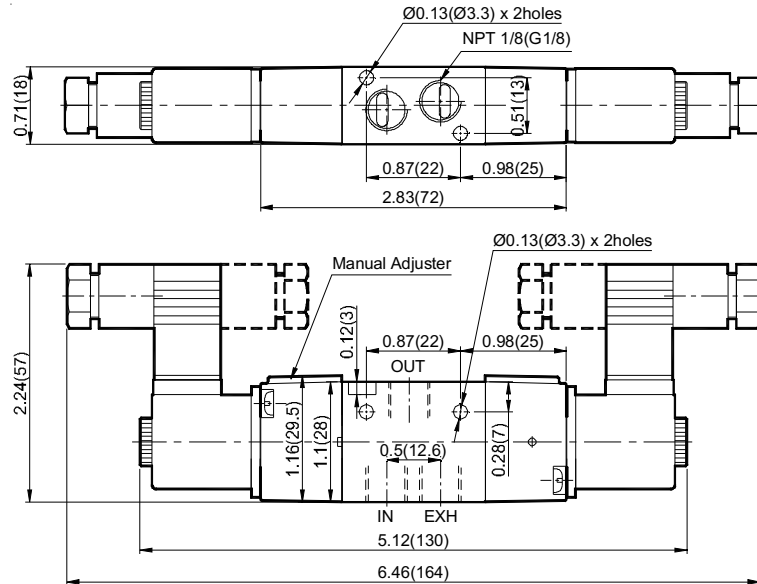
* For ordering No, voltage to be added. Refer page no. 2.3.9

COMPACT VALVE - 1/8

Series DS2

Cat No DS2 - 02 - 07

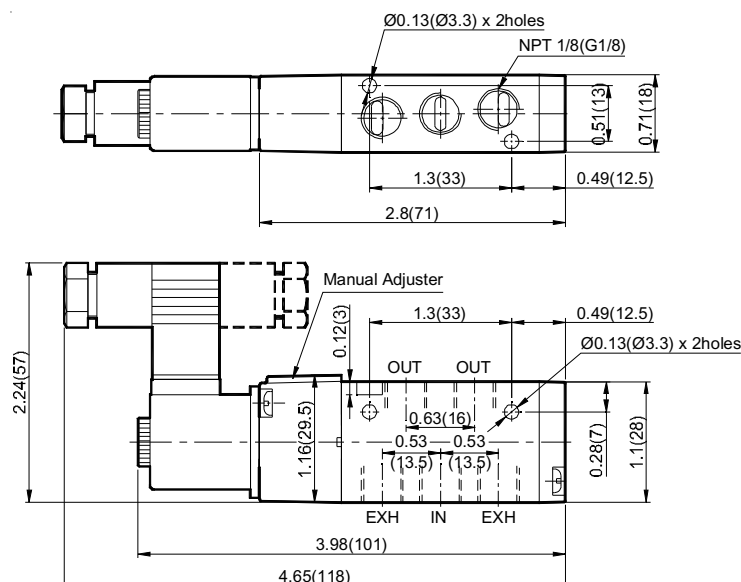
3 / 2 Double solenoid pilot operated valve



1 - Inlet, 2 - Outlet, 3 - Exhaust

Ordering No*	NPT	DS234SS90	DS244SS90
	G	(DS234SS60)	(DS244SS60)
Type		Normally open	Normally closed
Symbol			

5 / 2 Single solenoid pilot operated valve with spring return



1 - Inlet, 2,4 - Outlet, 3,5 - Exhaust

Ordering No*	NPT	DS254SR90
	G	(DS254SR60)
Symbol		

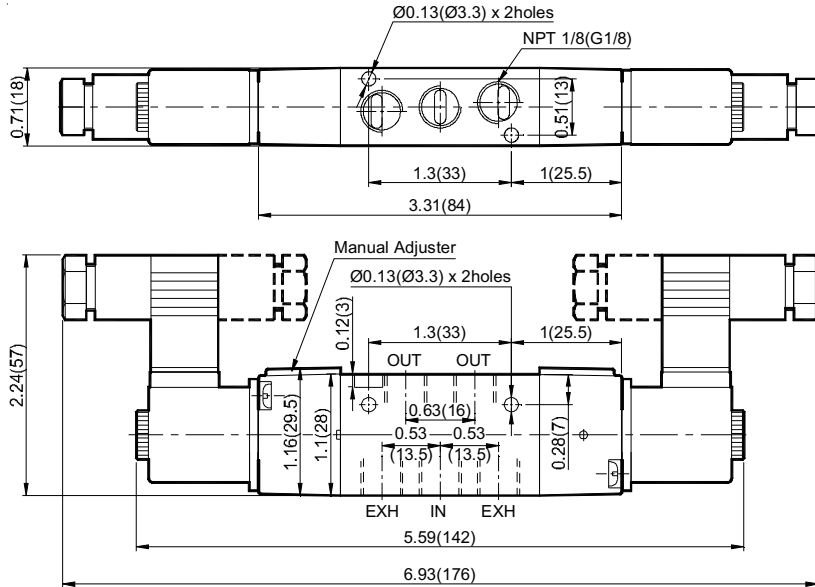
* For ordering No, voltage to be added. Refer page no. 2.3.9

COMPACT VALVE - 1/8

Series DS2

Cat No DS2 - 02 - 07

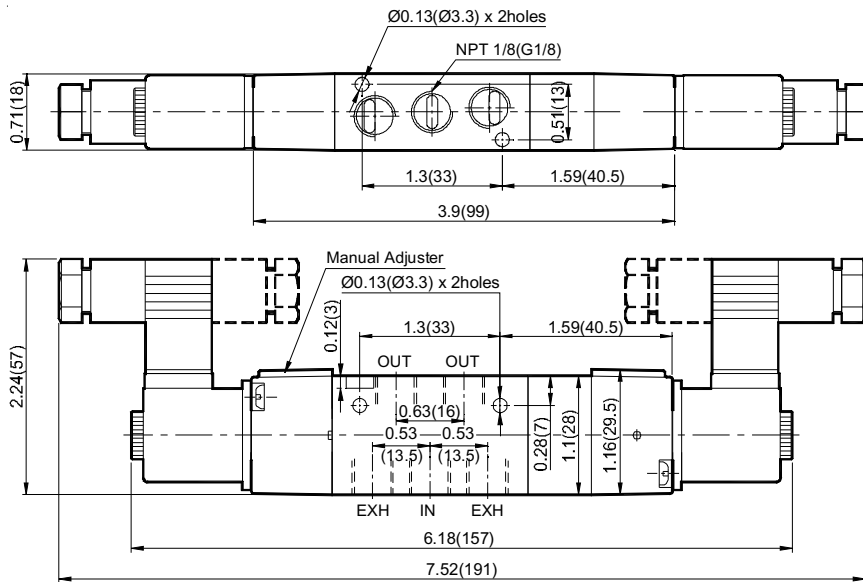
5 / 2 Double solenoid pilot operated valve



1 - Inlet, 2, 4 - Outlet, 3, 5 - Exhaust

Ordering No*	NPT	DS254SS90
	G	(DS254SS60)
Symbol		

5 / 3 Double solenoid pilot operated valve with spring centered



1 - Inlet, 2, 4 - Outlet, 3, 5 - Exhaust

Ordering No*	NPT	DS264SC90	DS274SC90	DS284SC90
	G	(DS264SC60)	(DS274SC60)	(DS284SC60)
Type	Blocked		Exhausted	Energised
Symbol				

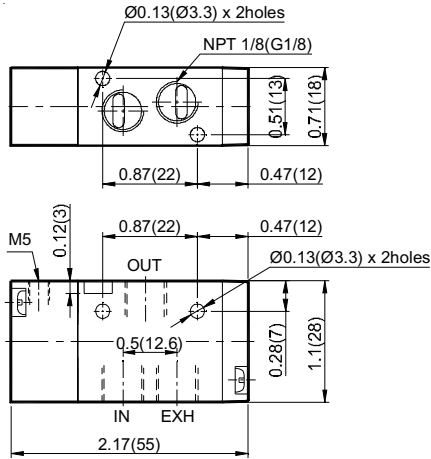
* For ordering No, voltage to be added. Refer page no. 2.3.9

COMPACT VALVE - 1/8

Series DS2

Cat No DS2 - 02 - 07

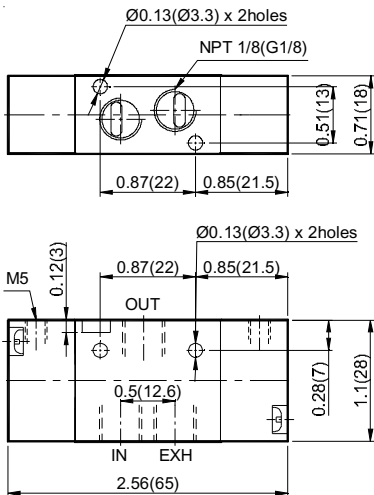
3 / 2 Single External pilot operated valve with spring return



1 - Inlet, 2 - Outlet, 3 - Exhaust 14 - External pilot

Ordering No	NPT	DS234ER90	DS244ER90
	G	(DS234ER60)	(DS244ER60)
Type		Normally open	Normally closed
Symbol			

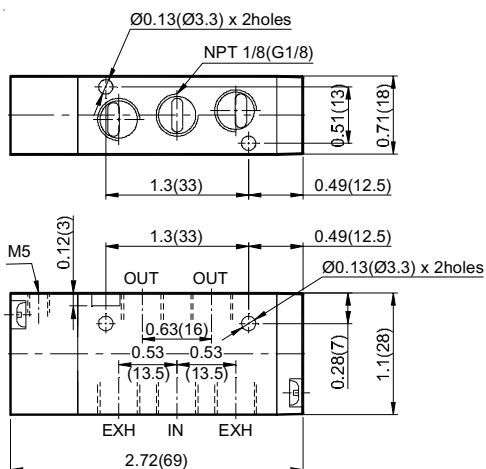
3 / 2 Double External pilot operated valve



1 - Inlet, 2 - Outlet, 3 - Exhaust 14,12 - External pilot

Ordering No	NPT	DS234EE90	DS244EE90
	G	(DS234EE60)	(DS244EE60)
Type		Normally open	Normally closed
Symbol			

5 / 2 Single External pilot operated valve with spring return



1 - Inlet, 2,4 - Outlet, 3,5 - Exhaust, 14 - External pilot

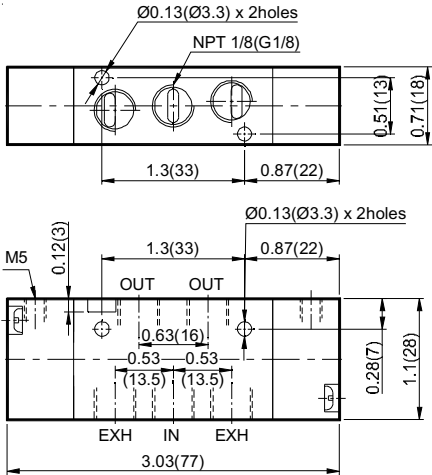
Ordering No	NPT	DS254ER90
	G	(DS254ER60)
Symbol		

COMPACT VALVE - 1/8

Series DS2

Cat No DS2 - 02 - 07

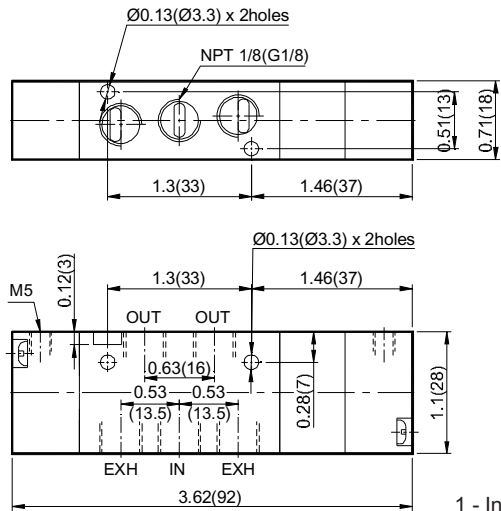
5 / 2 Double External pilot operated valve



1 - Inlet, 2,4 - Outlet, 3,5 - Exhaust, 14,12 - External pilot

Ordering No	NPT	DS254EE90
	G	
Symbol		

5 / 3 Double External pilot operated valve with spring centered



1 - Inlet, 2,4 - Outlet, 3,5 - Exhaust, 14,12 - External pilot

Ordering No	NPT	DS264EC90	DS274EC90	DS284EC90
	G	(DS264EC60)	(DS274EC60)	(DS284EC60)
Type	Blocked		Exhausted	Energised
Symbol				

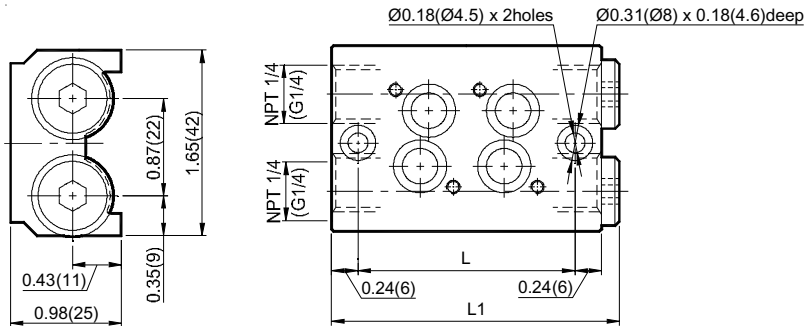
COMPACT VALVE - 1/8

Series DS2

Cat No DS2 - 02 - 07

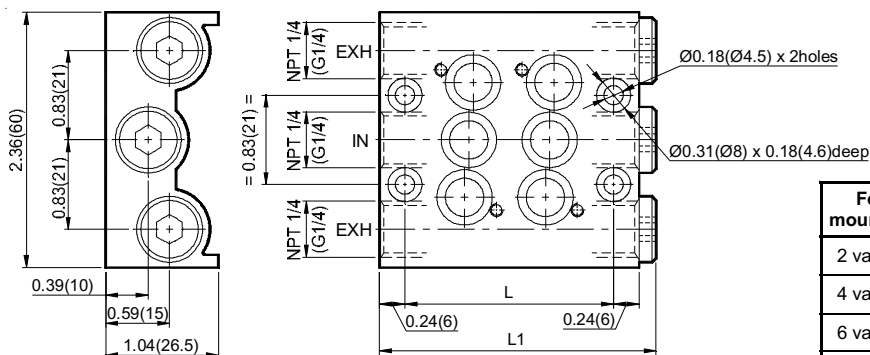
MANIFOLDS FOR COMPACT VALVE

Manifold - Type M051 (for 3/2 valves)



For mounting		L	L1	Ordering no
2 valves	Inch (mm)	1.93 (49)	2.56 (65)	M0510102
4 valves	Inch (mm)	3.43 (87)	4.06 (103)	M0510104
6 valves	Inch (mm)	4.92 (125)	5.55 (141)	M0510106
8 valves	Inch (mm)	6.42 (163)	7.05 (179)	M0510108

Manifold - Type M003 (for 5/2, 5/3 valves)



For mounting		L	L1	Ordering no
2 valves	Inch (mm)	1.93 (49)	2.56 (65)	M0030102
4 valves	Inch (mm)	3.43 (87)	4.06 (103)	M0030104
6 valves	Inch (mm)	4.92 (125)	5.55 (141)	M0030106
8 valves	Inch (mm)	6.42 (163)	7.05 (179)	M0030108

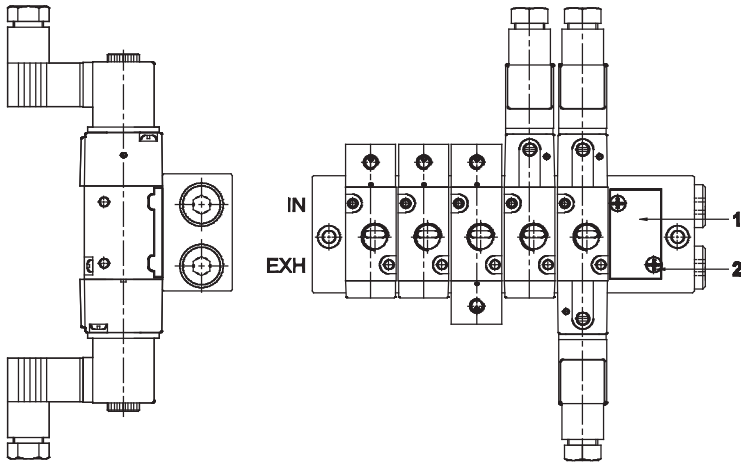
COMPACT VALVE - 1/8

Series DS2

Cat No DS2 - 02 - 07

ACCESSORIES FOR COMPACT VALVE

Cover plate assembly for Manifold Type M051

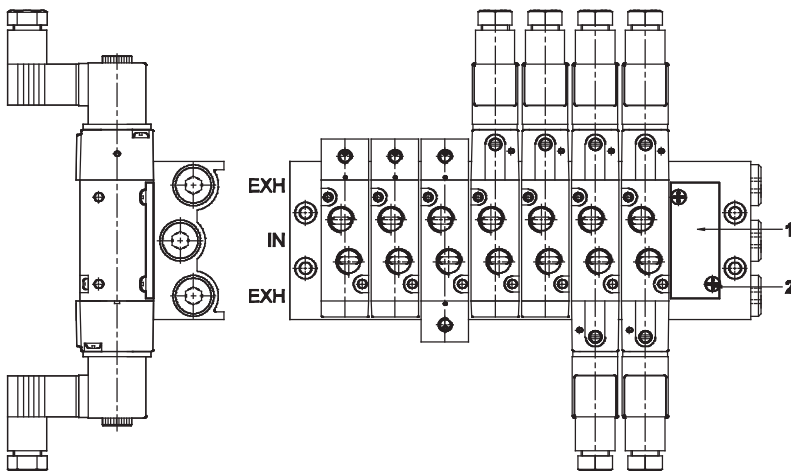


SL NO	Item	Qty	Ordering No
1	Cover plate	1	A4C07
2	Screw - M3x8	2	

Application:

The cover plate assembly can be used to plug the unutilised position in a manifold. For eg., if it is required to mount only 5 valves on manifold no. M0510106, the sixth position can be plugged and made dummy using a cover plate assembly. (refer picture above)

Cover plate assembly for Manifold Type M003



SL NO	Item	Qty	Ordering No
1	Cover plate	1	A4C06
2	Screw - M3x8	2	

Application:

The cover plate assembly can be used to plug the unutilised position in a manifold. For eg., if it is required to mount only 7 valves on manifold no. M0030108, the eighth position can be plugged and made dummy using a cover plate assembly. (refer picture above)

COMPACT VALVE - 1/8

Series DS2

Cat No DS2 - 02 - 07

How to order

1. Solenoid valve + “ Connectors without LED ”

While ordering Solenoid operated valves, please mention the suffix given below along with the model number to indicate the required voltage

A	220V AC	Q	110V DC
B	110V AC	S	48V DC
D	48V AC	W	24V DC
G	24V AC	R	12V DC

Example

- The ordering no. for 3/2 NC Single solenoid valve, 24V D.C coil with PG cable is **DS244SR90-W**
- The ordering no. for 3/2 NC Single solenoid valve, 24V D.C coil with Moulded cable is **DS244SR90-W1**

2. Solenoid valve + “ Connectors with LED ”

While ordering Solenoid operated valves with LED connectors, given below in the corresponding tables.

○	○ ○	R	○
Voltage	Housing Colour & Indication	LED colour	Connection type
A 220V AC	<p>T0</p> <p>Transparent housing with Bipolar LED indicator confirming supply voltage</p>	R Red	0 PG Cable entry
G 24V AC		<p>T1</p> <p>Transparent housing with Bipolar LED indicator confirming supply voltage plus varistor to give over voltage protection to the source and load</p>	
W 24V DC			

Example

The Ordering no for 3/2 NC Single solenoid valve (NPT 1/8), 24V DC, connectors with LED of Transparent colour housing with Bipolar LED and varistor, Red colour LED with moulded cable : **DS244SR90-WT1R1**