

# COMPACT VALVE - 1/2

Series DS2

Cat No DS2 - 02 - 09

## COMPACT VALVE - G1/2

### Features

- Suitable for manifold mounting
- Mounting provision for individual unit
- Compact size
- Manual override
- Wide range of manifolds available
- Wide range of coil voltages

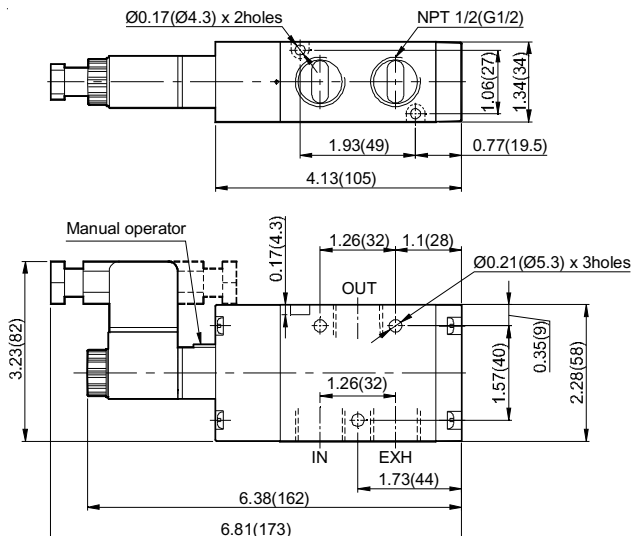


### Technical Specifications

Model	DS2
Type	3/2, 5/2, 5/3
Design	Spool type
Port Size	Inlet, Outlet, Exhaust - NPT 1/2 (G1/2), External pilot - NPT 1/8 (G1/8)
Medium	Compressed air - Dry, filtered, lubricated
Working Pressure range in psi (bar)	30 - 145 (2 - 10)
External pilot pressure (ER model) in psi (bar)	30 - 60 (2 - 4)
Recommended oil for lubrication	ISO VG32 (Servo system 32)
Ambient / Medium temperature	41° - 140° F (5° - 60° C)
Flow rate in scfm (NI/min) @	122.5 (3500)
Materials of construction	Aluminium, Nitrile, Brass, Acetal, PBT, Zinc
<b>Electrical</b>	
Coil width in Inch (mm)	0.87 (22)
Voltage (V) ± 10%	AC ( 50 Hz ) - 24, 48, 110, 220
	DC - 12, 24, 48, 110
Power consumption	AC - 6 VA, DC - 5 W
Duty cycle	Continuous
Class of insulation	Class F
Type of coil protection	IP65

@ Supply pressure 87 psi (6 bar), Pressure drop  $\Delta p$  = 14.5 psi (1bar)

### 3 / 2 Single Solenoid pilot operated valve with spring return



1 - Inlet, 2 - Outlet, 3 - Exhaust

Ordering No*	NPT	DS237SR93	DS247SR93
	G	(DS237SR63)	(DS247SR63)
Type		Normally open	Normally closed
Symbol			

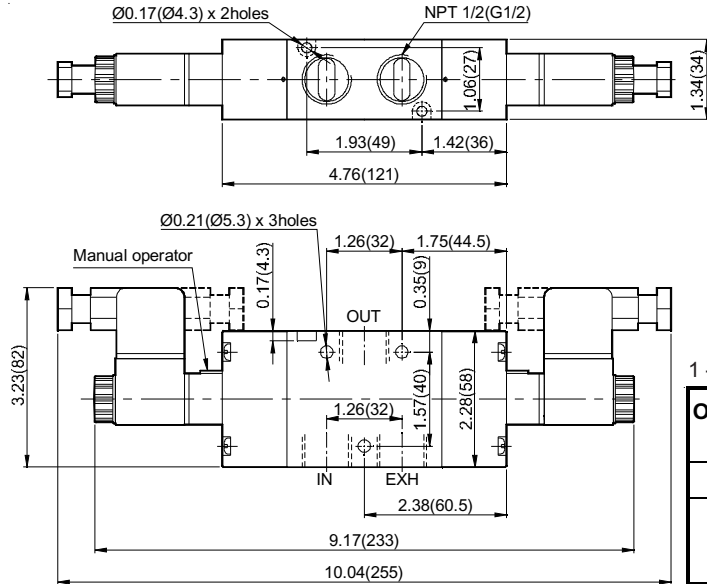
\* For ordering No, voltage to be added. Refer page no. 2.3.27

# COMPACT VALVE - 1/2

Series DS2

Cat No DS2 - 02 - 09

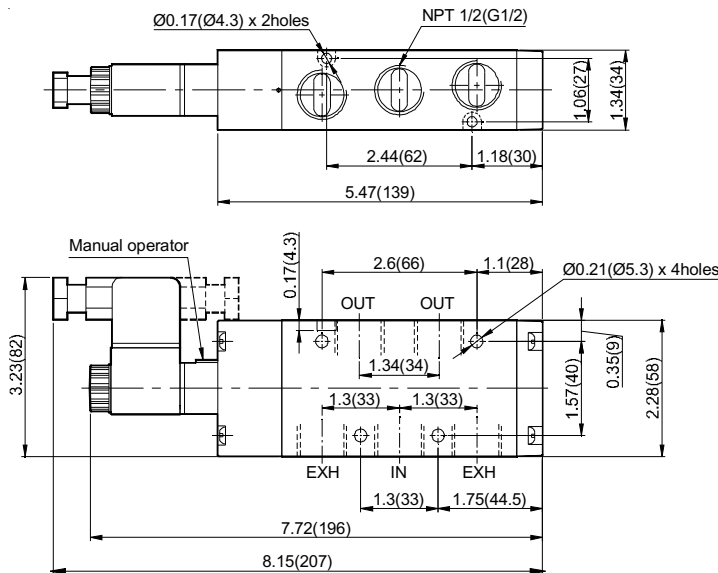
## 3 / 2 Double solenoid pilot operated valve



1 - Inlet, 2 - Outlet, 3 - Exhaust

Ordering No*	NPT	DS237SS93	DS247SS93
	G	(DS237SS63)	(DS247SS63)
Type		Normally open	Normally closed
Symbol			

## 5 / 2 Single solenoid pilot operated valve with spring return



1 - Inlet, 2,4 - Outlet, 3,5 - Exhaust

Ordering No*	NPT	DS257SR93
	G	(DS257SR63)
Symbol		

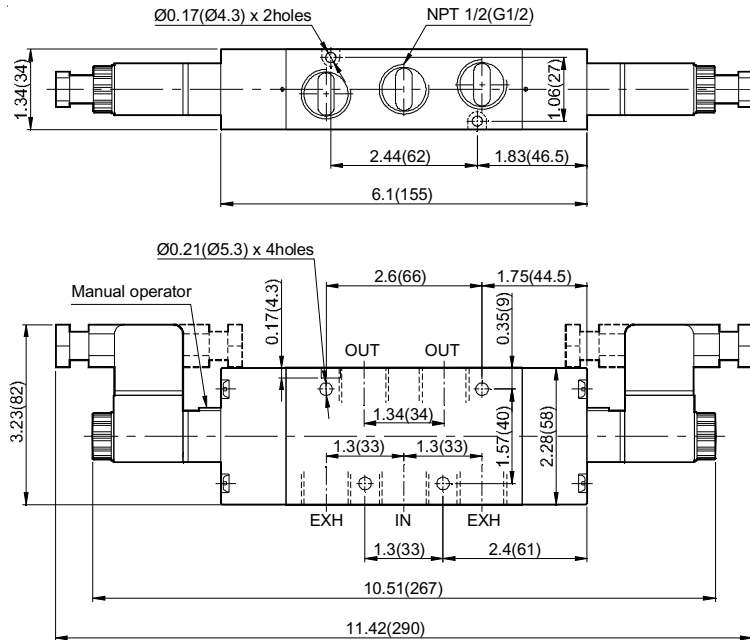
\* For ordering No, voltage to be added. Refer page no. 2.3.27

# COMPACT VALVE - 1/2

## Series DS2

Cat No DS2 - 02 - 09

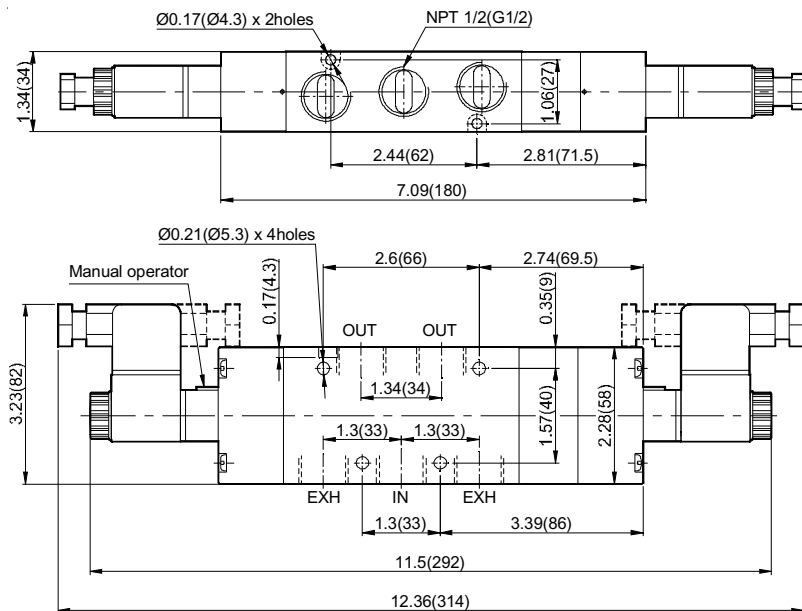
### 5 / 2 Double solenoid pilot operated valve



1 - Inlet, 2,4 - Outlet, 3,5 - Exhaust

Ordering No*	NPT	DS257SS93
	G	(DS257SS63)
Symbol		

### 5 / 3 Double solenoid pilot operated valve with spring centered



1 - Inlet, 2,4 - Outlet, 3,5 - Exhaust

Ordering No*	NPT	DS267SC93	DS277SC93	DS287SC93
	G	(DS267SC63)	(DS277SC63)	(DS287SC63)
Type	Blocked		Exhausted	Energised
Symbol				

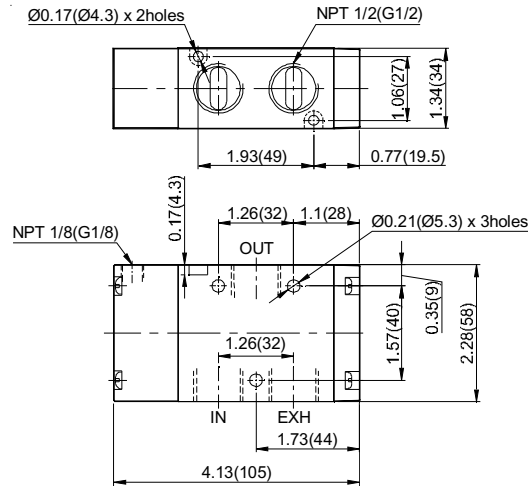
\* For ordering No, voltage to be added. Refer page no. 2.3.27

# COMPACT VALVE - 1/2

Series DS2

Cat No DS2 - 02 - 09

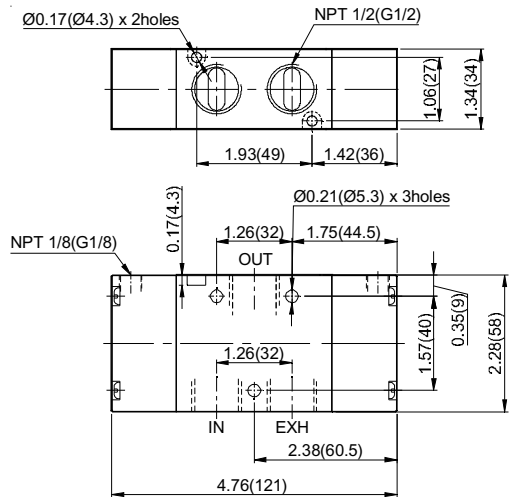
## 3 / 2 Single External pilot operated valve with spring return



1 - Inlet, 2 - Outlet, 3 - Exhaust 14 - External pilot

Ordering No	NPT	DS237ER93	DS247ER93
	G	(DS237ER63)	(DS247ER63)
Type		Normally open	Normally closed
Symbol			

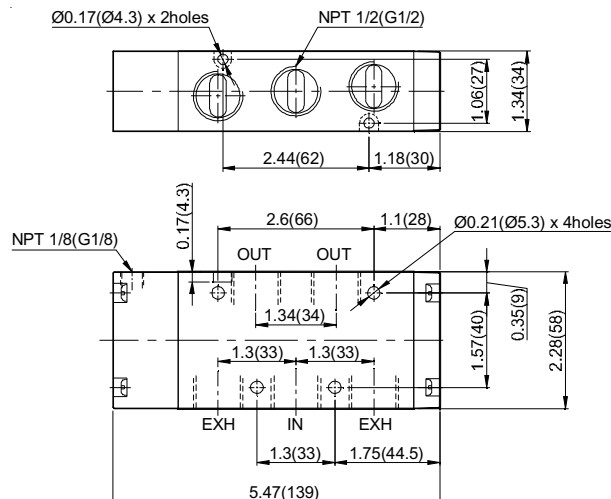
## 3 / 2 Double External pilot operated valve



1 - Inlet, 2 - Outlet, 3 - Exhaust 14,12 - External pilot

Ordering No	NPT	DS237EE63	DS247EE63
	G	(DS237EE63)	(DS247EE63)
Type		Normally open	Normally closed
Symbol			

## 5 / 2 Single External pilot operated valve with spring return



1 - Inlet, 2,4 - Outlet, 3,5 - Exhaust, 14,12 - External pilot

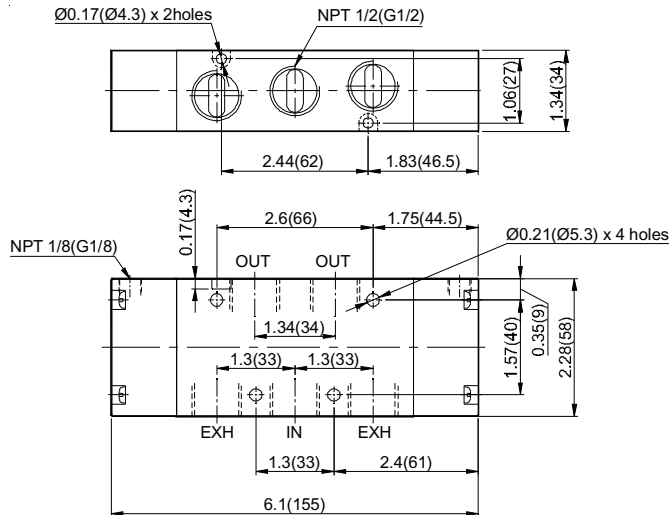
Ordering No	NPT	DS257ER63
	G	(DS257ER63)
Symbol		

# COMPACT VALVE - 1/2

Series DS2

Cat No DS2 - 02 - 09

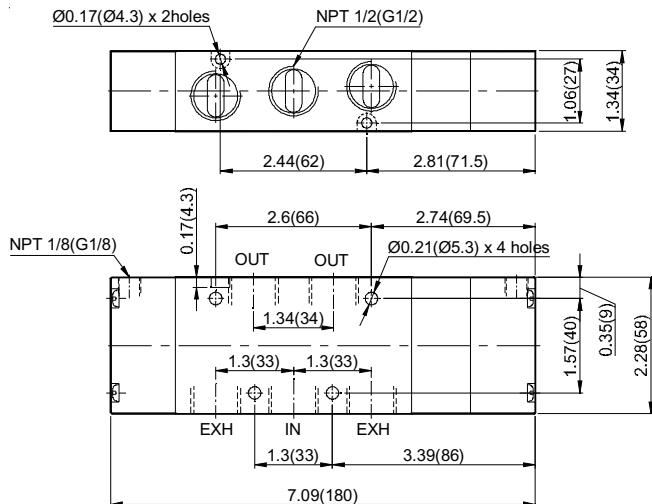
## 5 / 2 Double External pilot operated valve



1 - Inlet, 2,4 - Outlet, 3,5 - Exhaust, 14,12 - External pilot

Ordering No	NPT	DS257EE63
	G	(DS257EE63)
Symbol		

## 5 / 3 Double External pilot operated valve with spring centered



1 - Inlet, 2,4 - Outlet, 3,5 - Exhaust, 14,12 - External pilot

Ordering No	NPT	DS267EC63	DS277EC63	DS287EC63
	G	(DS267EC63)	(DS277EC63)	(DS287EC63)
Type	Blocked		Exhausted	Energised
Symbol				

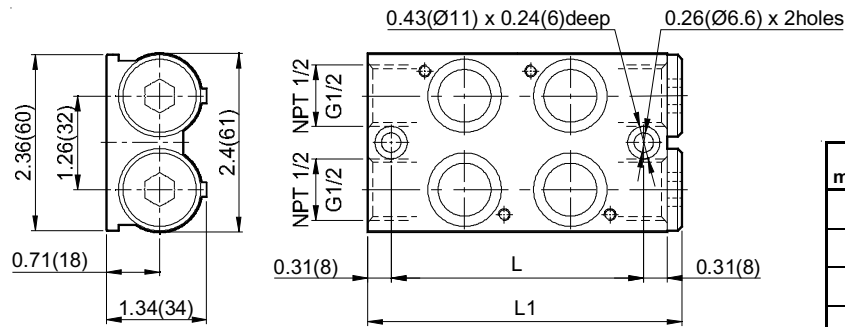
# COMPACT VALVE - 1/2

Series DS2

Cat No DS2 - 02 - 09

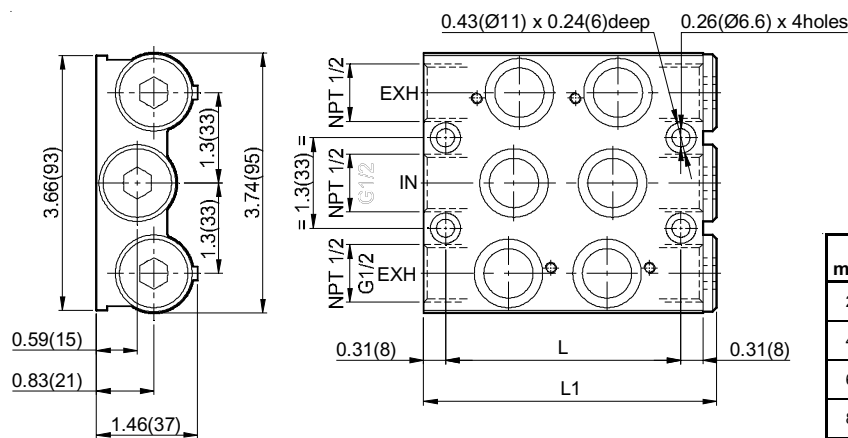
## MANIFOLDS FOR COMPACT VALVE

### Manifold - Type M051 ( for 3/2 valves)



For mounting		L	L1	Ordering no
2 valves	Inch (mm)	3.39 (86)	4.21 (107)	M0510602
4 valves	Inch (mm)	6.22 (158)	7.05 (179)	M0510604
6 valves	Inch (mm)	9.06 (230)	9.88 (251)	M0510606
8 valves	Inch (mm)	11.89 (302)	12.72 (323)	M0510608

### Manifold - Type M003 ( for 5/2, 5/3 valves)



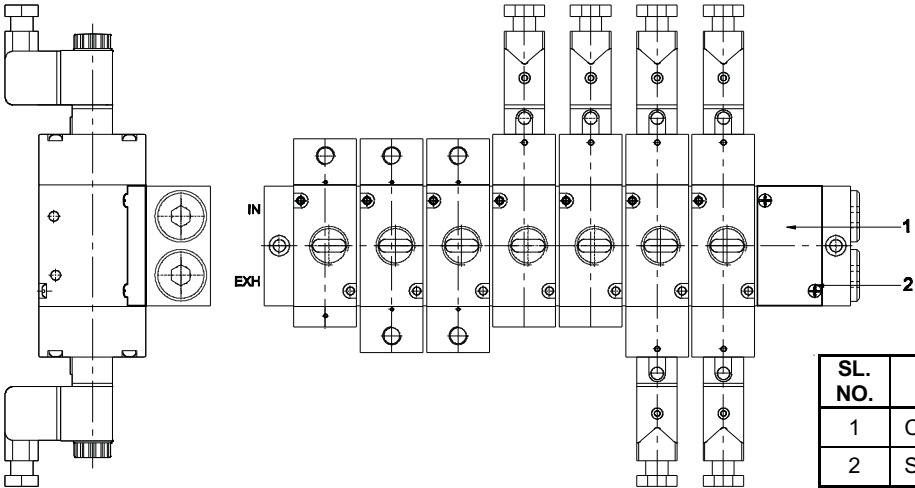
For mounting		L	L1	Ordering no
2 valves	Inch (mm)	3.39 (86)	4.21 (107)	M0030602
4 valves	Inch (mm)	6.22 (158)	7.05 (179)	M0030604
6 valves	Inch (mm)	9.06 (230)	9.88 (251)	M0030606
8 valves	Inch (mm)	11.89 (302)	12.72 (323)	M0030608

**COMPACT VALVE - 1/2**  
Series DS2

Cat No DS2 - 02 - 09

**ACCESSORIES FOR COMPACT VALVE**

**Cover plate assembly for Manifold Type M051**

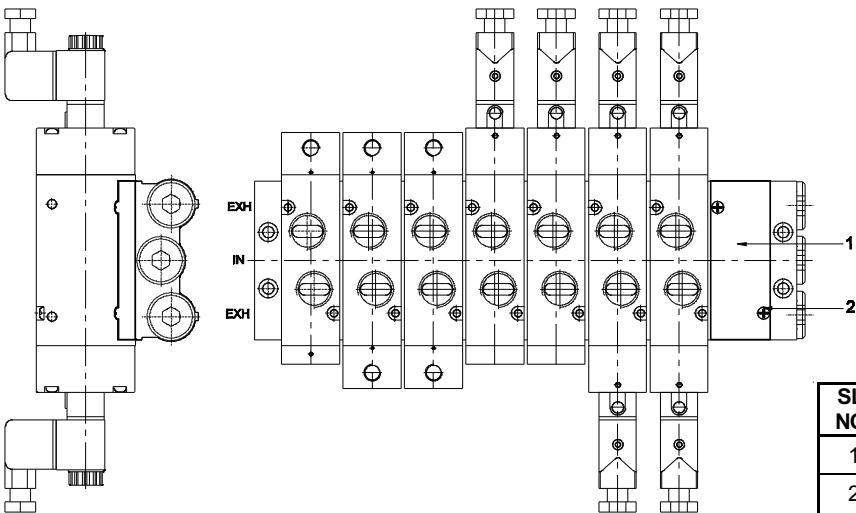


SL. NO.	Item	Qty.	Ordering No
1	Cover plate	1	A4C05
2	Screw - M4x15	2	

**Application:**

The cover plate assembly can be used to plug the unutilised position in a manifold. For eg., if it is required to mount only 7 valves on manifold no. M0510608, the eighth position can be plugged and made dummy using a cover plate assembly. (refer picture above)

**Cover plate assembly for Manifold Type M003**



SL. NO.	Item	Qty.	Ordering No
1	Cover plate	1	A4C04
2	Screw - M4x15	2	

**Application:**

The cover plate assembly can be used to plug the unutilised position in a manifold. For eg., if it is required to mount only 7 valves on manifold no. M0030608, the eighth position can be plugged and made dummy using a cover plate assembly. (refer picture above)

# COMPACT VALVE - 1/2

## Series DS2

Cat No DS2 - 02 - 09

### How to order

#### 1. Solenoid valve + “ Connectors without LED ”

While ordering Solenoid operated valves, please mention the suffix given below along with the model number to indicate the required voltage

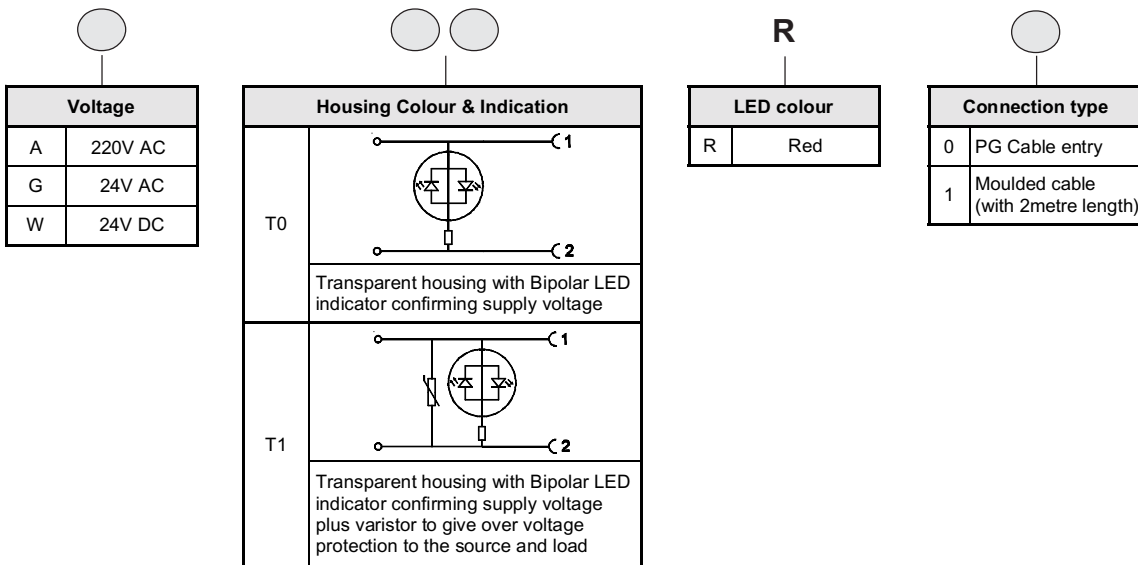
A	220V AC	Q	110V DC
B	110V AC	S	48V DC
D	48V AC	W	24V DC
G	24V AC	R	12V DC

#### Example

- The ordering no. for 3/2 NC Single solenoid valve, 24V D.C coil with PG cable is **DS247SR63-W**
- The ordering no. for 3/2 NC Single solenoid valve, 24V D.C coil with Moulded cable is **DS247SR63-W1**

#### 2. Solenoid valve + “ Connectors with LED ”

While ordering Solenoid operated valves with LED connectors, given below in the corresponding tables.



#### Example

The Ordering no for 3/2 NC Single solenoid valve (NPT 1/2), 24V DC, connectors with LED of Transparent colour housing with Bipolar LED and varistor, Red colour LED with moulded cable : **DS247SR63-WT1R1**